

# BUNN®

## 392® Pourover Coffee Brewer with 2 Warmers

ITEM#

PROJECT

DATE



### Features

#### 392 Pourover Coffee Brewer

*Commercially designed pourover system brews Gold Cup Standard coffee in about 3 minutes*

- Space saving 8.3" (21.1 cm) wide.
- Pourover brewer requires no plumbing – completely portable.
- All stainless steel tank construction.
- Two separately controlled warmers.
- Ready light.
- SplashGard® funnel deflects hot liquids away from the hand.
- Includes paper filter pack and pour-in pitcher.

#### 392

(decanter not included)

Dimensions: 19.2" H x 8.3" W x 18.2" D  
(48.8cm H x 21.1cm W x 46.2cm D)

For current specification sheets and other information, go to [www.bunn.com](http://www.bunn.com).

\* International models may vary in appearance.

### Related Products

#### Paper Filter Pack

Product No. : 20115.0000

Packed per case: 1,000

Dimensions: 4 1/4" Base x 2 3/4" Sidewall

10.8 cm Base x 6.98 cm Sidewall



#### Easy Pour® black decanter

Product No. : 06100.0101

Quantity: 1 (also packaged in quantities of 2, 3, 6, 12, & 24)



#### Glass Decanter

Product No. : 42400.0101

1-pack regular



#### Easy Pour® orange decanter (for decaf)

Product No. : 06101.0101

Quantity: 1 (also packaged in quantities of 2, 3, 6, 12, & 24)



Product No. : 42401.0101

1-pack orange handle (decaf)



#### WX1-warmer

Product No. : 06450.0004

One position warmer



#### WX2-warmer

Product No. : 06310.0004

Two position warmer



#### Model

392

#### Agency Listing



## Dimensions & Specifications

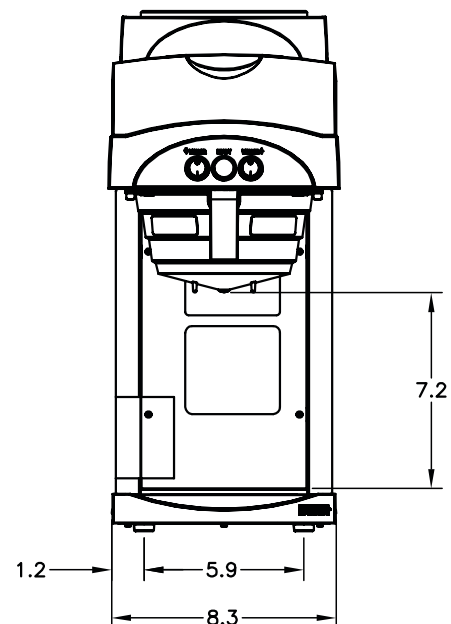
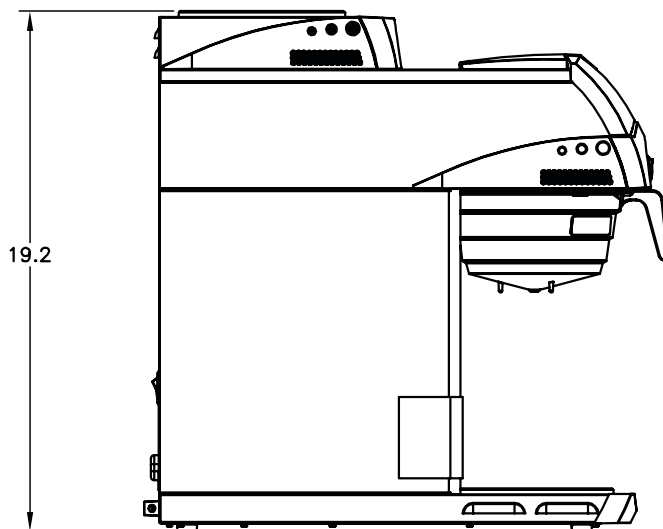
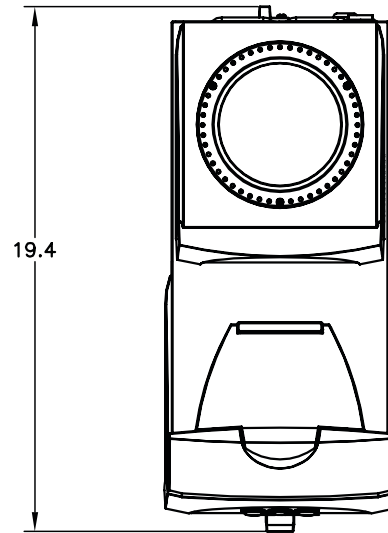
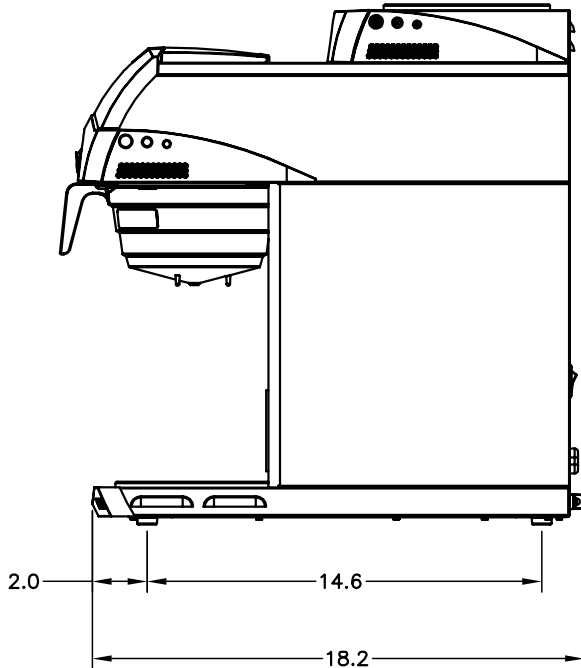
Model	Product #	Volts	Amps	Tank Heater Watts	Total Watts	Brewing Capacity	Cu. Ft.	Shipping Weight	Cord Attached
392	37800.0105	120	13	1320	1560	3.9 gal./hr.	1.9	24 lbs.	Yes*

\*Power cord (NEMA 5-15P) 15 Amp-120V

**Brewing capacity:** based upon incoming water temp of 60°F (140°F rise) per 1/2 gallon brew time of 4 minutes.

Electrical: Model requires 2-wires plus ground service, single phase, 60 Hz.

Plumbing: No plumbing needed.



Bunn-O-Matic® Corporation - 1400 Stevenson Drive Springfield, Illinois 62703 • 800-637-8606 • 217-529-6601 • Fax 217-529-6644 • www.bunn.com

BUNN® practices continuous product research and improvement. We reserve the right to change specifications and product design without notice. Such revisions do not entitle the buyer to corresponding changes, improvements, additions or replacements for previously purchased equipment.

All dimensions shown in inches.